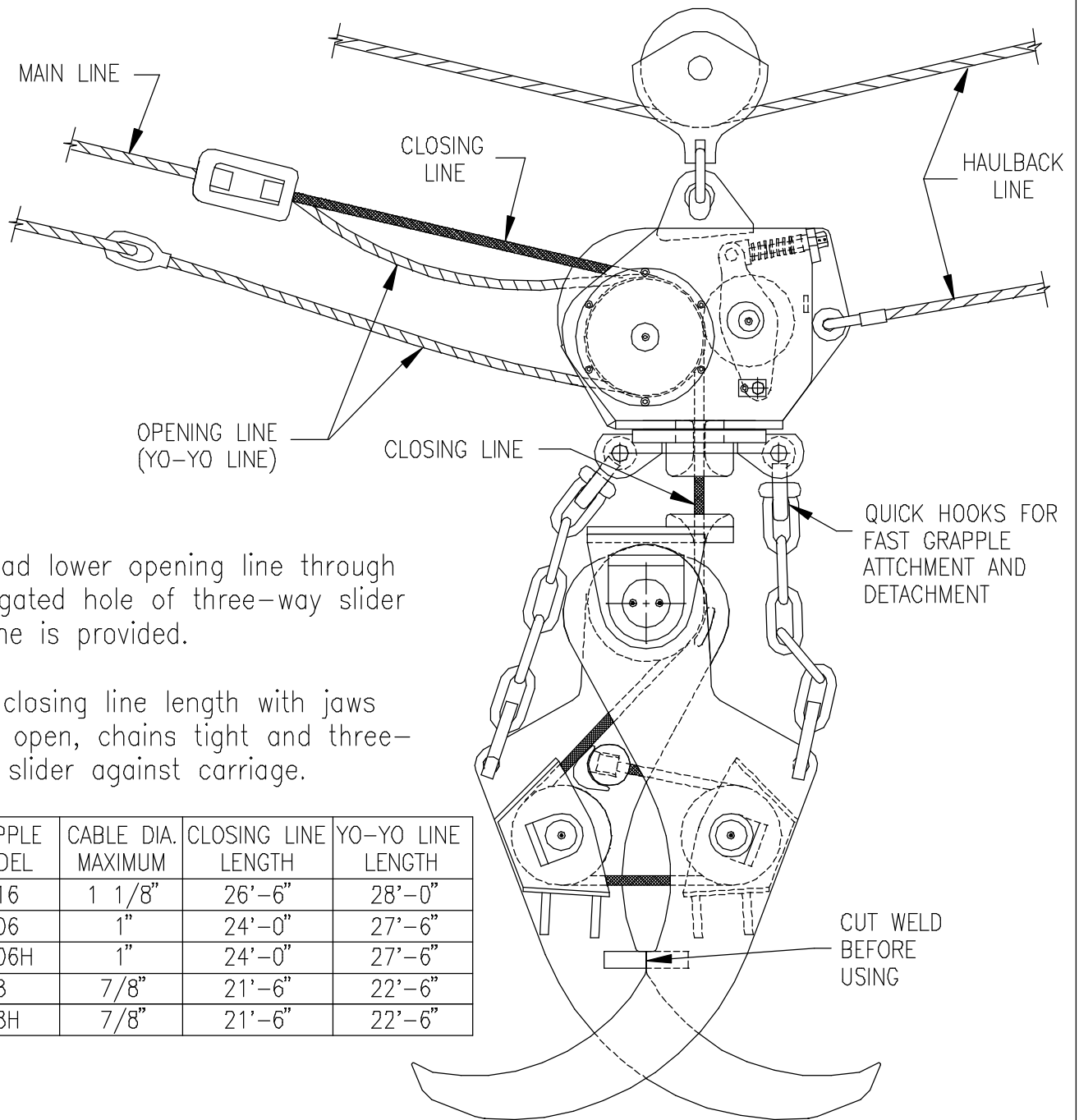


RIGGING DIAGRAM - SINGLE MAIN LINE



- * Thread lower opening line through elongated hole of three-way slider if one is provided.

Set closing line length with jaws fully open, chains tight and three-way slider against carriage.

GRAPPLE MODEL	CABLE DIA. MAXIMUM	CLOSING LINE LENGTH	YO-YO LINE LENGTH
Y116	1 1/8"	26'-6"	28'-0"
Y106	1"	24'-0"	27'-6"
Y106H	1"	24'-0"	27'-6"
Y88	7/8"	21'-6"	22'-6"
Y88H	7/8"	21'-6"	22'-6"

NOTES:

- Lubricate pins, bushings and sheaves every 4 hours of operation with good grade moly grease.
- There are 11 lubrication points.

Johnson
INDUSTRIES LTD.
8500 RIVER RD, RICHMOND, BC
CANADA V6X 1Y4

car/spc/crgrig

TEL (604) 273 3737
TLX 04-357554
FAX (604) 273 9654

RIGGING DIAGRAM COMBINATION CARRIAGE & GRAPPLE

BY: ST

DATE: 921116

DWG. NO.

SC: —

REV.

A336-3.0