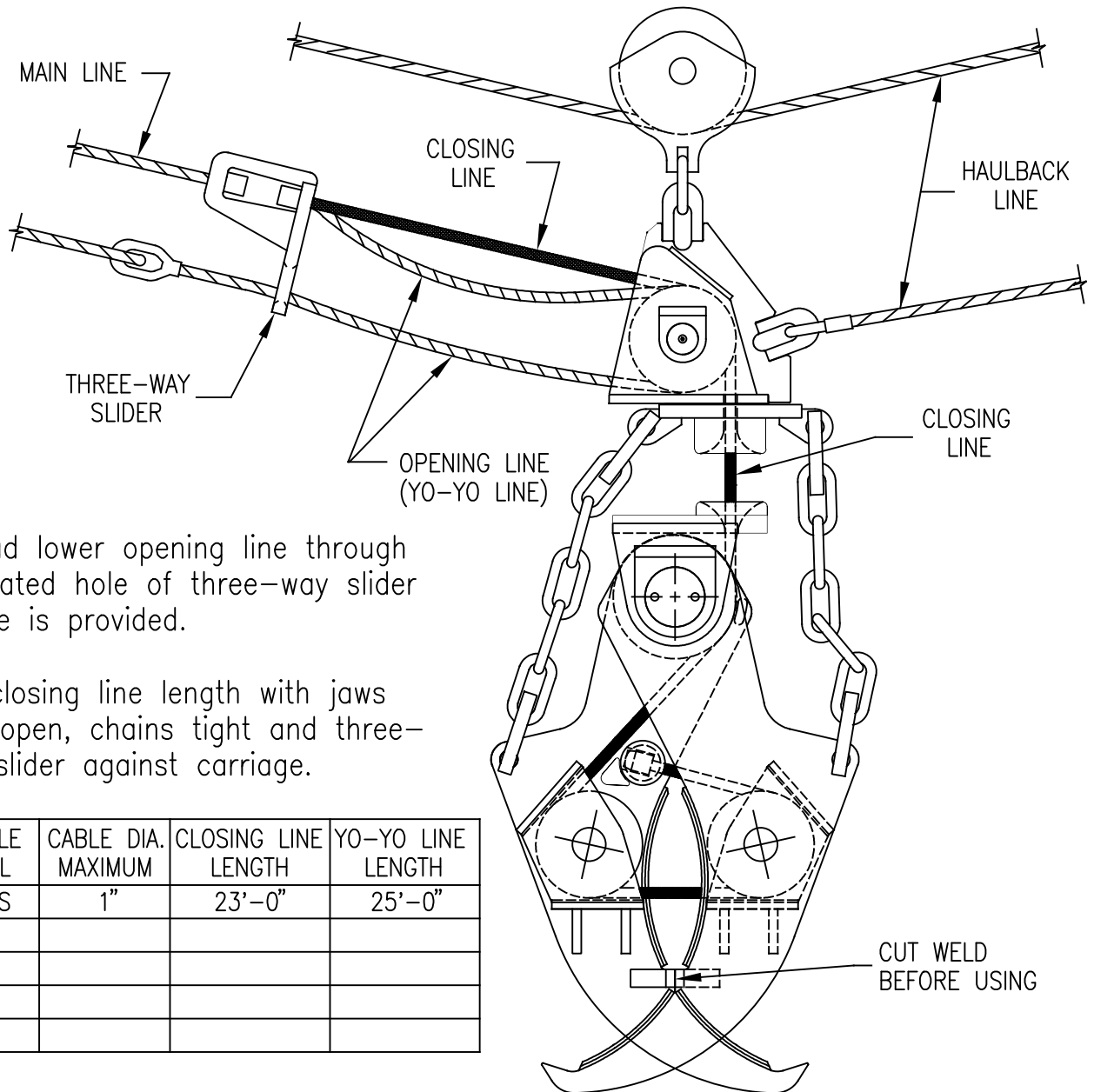


# RIGGING DIAGRAM - SINGLE MAIN LINE



\* Thread lower opening line through elongated hole of three-way slider if one is provided.

Set closing line length with jaws fully open, chains tight and three-way slider against carriage.

GRAPPLE MODEL	CABLE DIA. MAXIMUM	CLOSING LINE LENGTH	YO-YO LINE LENGTH
Y96DS	1"	23'-0"	25'-0"

**NOTES:**

- Lubricate pins, bushings and sheaves every 4 hours of operation with good grade moly grease.
- There are 10 lubrication points.

**Johnson industries / elevanja ltd**

Vancouver BC Canada -- Tel: 604 940 4555 Fax: 604 940 4565  
 Toronto ON Canada -- Tel: 416 213 9991 Fax: 416 213 9992  
 Bridgwater SOM England -- Tel: 01278 456411 Fax: 01278 429949

**BUNCHING GRAPPLE – RIGGING DIAGRAM  
Y96 DOUBLE SHEAVES**

BY: ST	DATE: 030715	DWG. NO.
SC:	REV.:	A4483-2.0
PATH: grp/ycg/rigging		