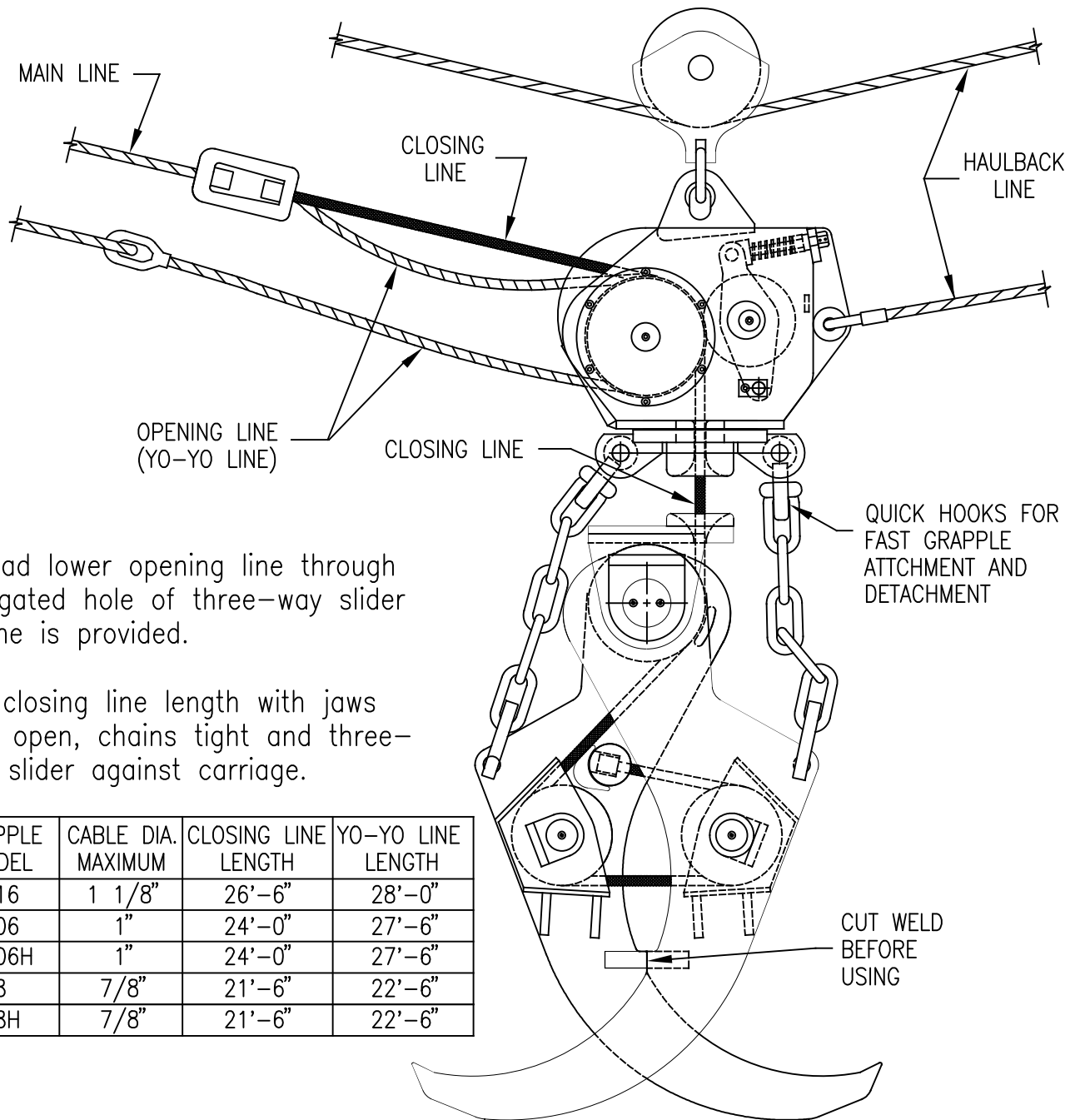


## RIGGING DIAGRAM - SINGLE MAIN LINE



- \* Thread lower opening line through elongated hole of three-way slider if one is provided.

Set closing line length with jaws fully open, chains tight and three-way slider against carriage.

GRAPPLE MODEL	CABLE DIA. MAXIMUM	CLOSING LINE LENGTH	YO-YO LINE LENGTH
Y116	1 1/8"	26'-6"	28'-0"
Y106	1"	24'-0"	27'-6"
Y106H	1"	24'-0"	27'-6"
Y88	7/8"	21'-6"	22'-6"
Y88H	7/8"	21'-6"	22'-6"

### NOTES:

- Lubricate pins, bushings and sheaves every 4 hours of operation with good grade moly grease.
- There are 11 lubrication points.

**Johnson industries / elevanja ltd**

Vancouver BC Canada -- Tel: 604 940 4555 Fax: 604 940 4565  
 Toronto ON Canada -- Tel: 416 213 9991 Fax: 416 213 9992  
 Bridgwater SOM England -- Tel: 01278 456411 Fax: 01278 429949

### RIGGING DIAGRAM COMBINATION CARRIAGE & GRAPPLE

BY: ST	DATE: 921116	DWG. NO.
SC:	REV.:	A336-3.0
PATH: car/spc/crgrig		