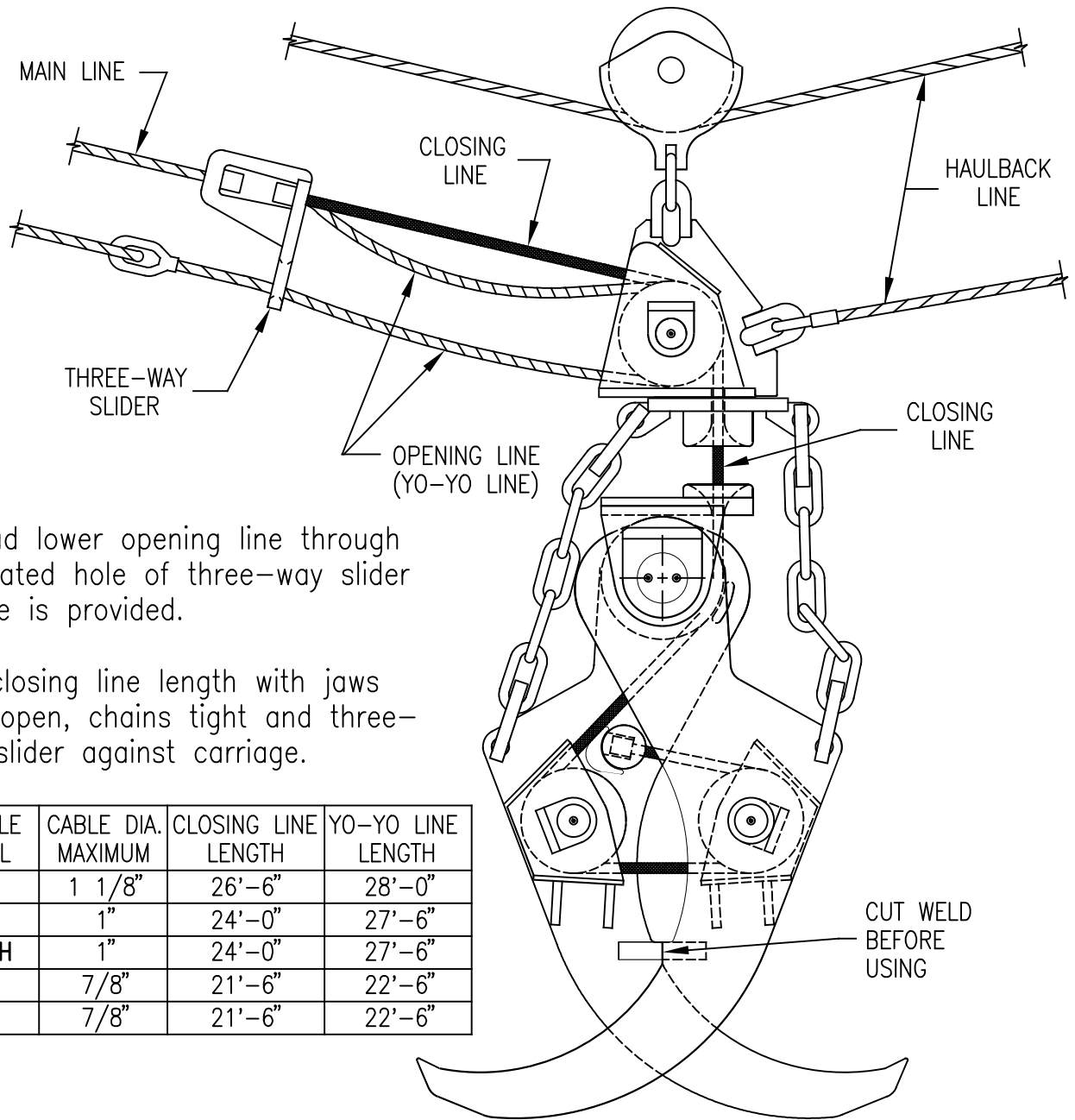


RIGGING DIAGRAM - SINGLE MAIN LINE



* Thread lower opening line through elongated hole of three-way slider if one is provided.

Set closing line length with jaws fully open, chains tight and three-way slider against carriage.

GRAPPLE MODEL	CABLE DIA. MAXIMUM	CLOSING LINE LENGTH	YO-YO LINE LENGTH
Y116	1 1/8"	26'-6"	28'-0"
Y106	1"	24'-0"	27'-6"
Y106H	1"	24'-0"	27'-6"
Y88	7/8"	21'-6"	22'-6"
Y88H	7/8"	21'-6"	22'-6"

NOTES:

- Lubricate pins, bushings and sheaves every 4 hours of operation with good grade moly grease.
- There are 10 lubrication points.

Johnson industries / elevanja ltd

Vancouver BC Canada -- Tel: 604 940 4555 Fax: 604 940 4565
 Toronto ON Canada -- Tel: 416 213 9991 Fax: 416 213 9992
 Bridgwater SOM England --- Tel: 01278 456411 Fax: 01278 429949

BUNCHING GRAPPLE - RIGGING DIAGRAM

BY: ST	DATE: 920415	DWG. NO. A336-2.3
SC:	REV.:	
PATH: grp/ydg/rigging		