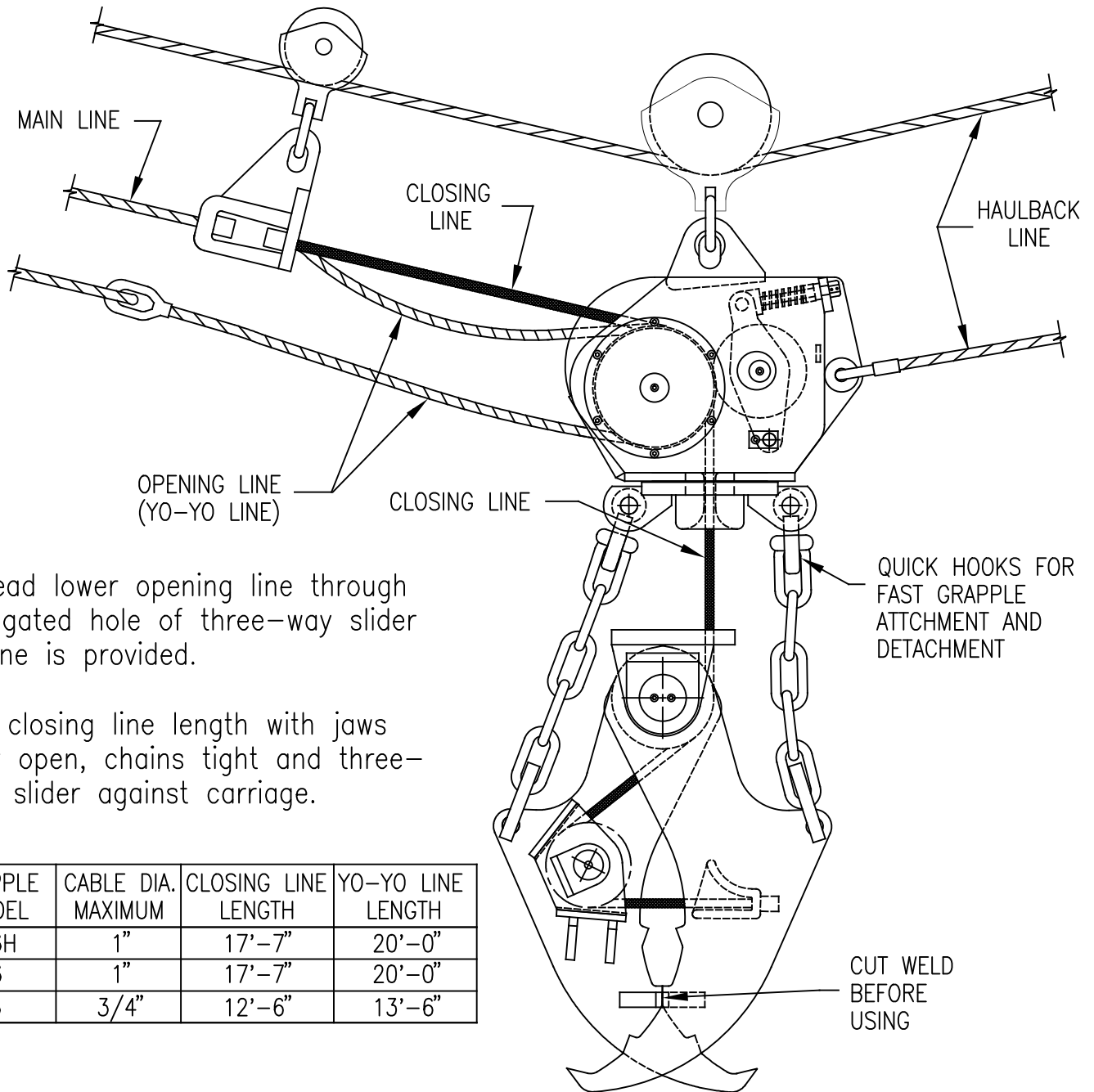


# RIGGING DIAGRAM - SINGLE MAIN LINE



\* Thread lower opening line through elongated hole of three-way slider if one is provided.

Set closing line length with jaws fully open, chains tight and three-way slider against carriage.

GRAPPLE MODEL	CABLE DIA. MAXIMUM	CLOSING LINE LENGTH	YO-YO LINE LENGTH
Y96H	1"	17'-7"	20'-0"
Y96	1"	17'-7"	20'-0"
Y56	3/4"	12'-6"	13'-6"

**NOTES:**

- Lubricate pins, bushings and sheaves every 4 hours of operation with good grade moly grease.
- There are 9 lubrication points.

**Johnson industries / elevanja Ltd**

Vancouver BC Canada -- Tel: 604 940 4555 Fax: 604 940 4565  
 Toronto ON Canada -- Tel: 416 213 9991 Fax: 416 213 9992  
 Bridgewater SOM England -- Tel: 01278 456411 Fax: 01278 429949

RIGGING DIAGRAM  
COMBINATION CARRIAGE & GRAPPLE

BY: ST	DATE: JAN/2013	DWG. NO.
SC:	REV.: (dj) 2020/08/13	A331-4.1
PATH: car/spc/crgrig		