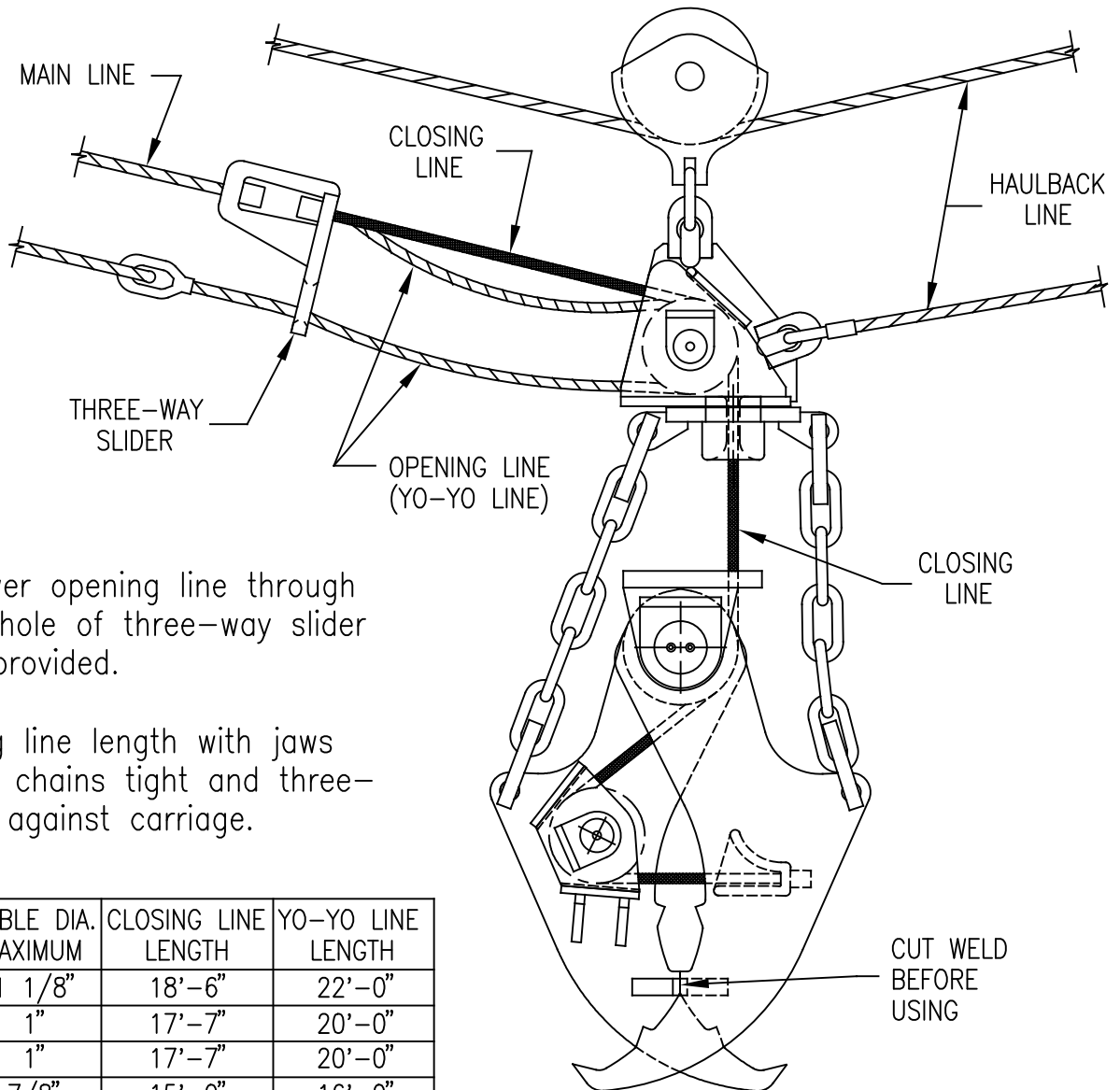


RIGGING DIAGRAM - SINGLE MAIN LINE



* Thread lower opening line through elongated hole of three-way slider if one is provided.

Set closing line length with jaws fully open, chains tight and three-way slider against carriage.

GRAPPLE MODEL	CABLE DIA. MAXIMUM	CLOSING LINE LENGTH	YO-YO LINE LENGTH
Y106HS	1 1/8"	18'-6"	22'-0"
Y96H	1"	17'-7"	20'-0"
Y96	1"	17'-7"	20'-0"
Y78	7/8"	15'-0"	16'-0"
Y56	3/4"	12'-6"	13'-6"

NOTES:

- Lubricate pins, bushings and sheaves every 4 hours of operation with good grade moly grease.
- There are 8 lubrication points.

Johnson industries / elevanja ltd

Vancouver BC Canada -- Tel: 604 940 4555 Fax: 604 940 4565
 Toronto ON Canada -- Tel: 416 213 9991 Fax: 416 213 9992
 Bridgwater SOM England -- Tel: 01278 456411 Fax: 01278 429949

CHOKER GRAPPLE - RIGGING DIAGRAM

BY: ST	DATE: 920415	DWG. NO. A331-2.3
SC:	REV.:	
PATH: grp/ydg/rigging		